

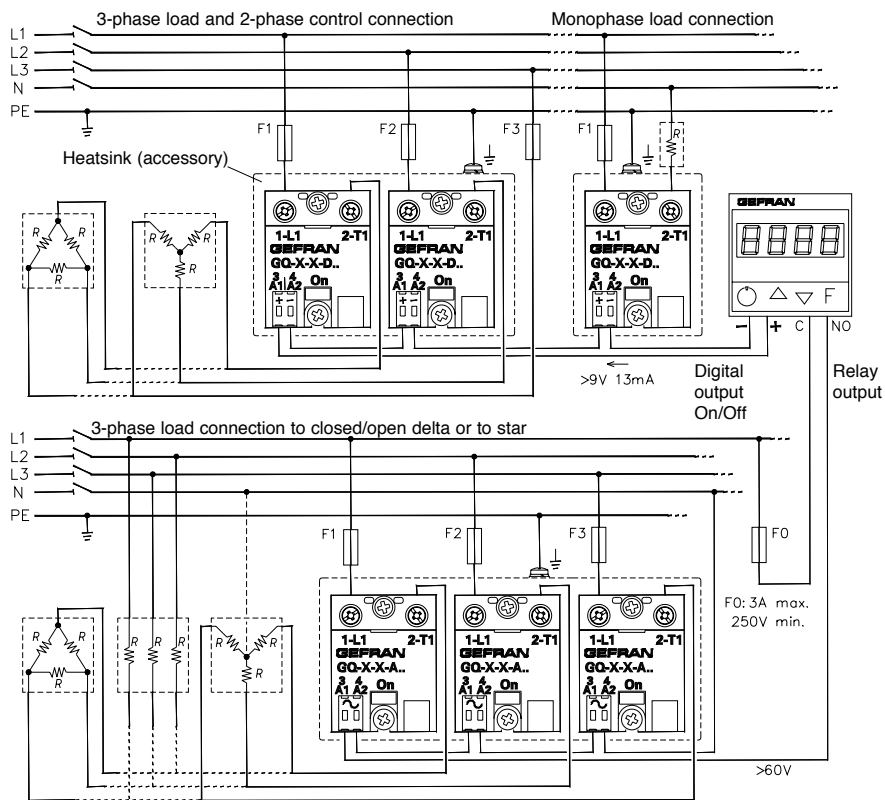
GQ



MONOPHASE SOLID STATE RELAY WITH SCR

Monophase solid state relay for resistive and inductive loads. Zero crossing. Double SCR output in antiparallel. Logic controller in VDC (3...32VDC). Signal LEDs.

- Integrated IP20 cover.
- Control logic input 3- 32VDC
- Faceplate protection: IP20
- Nominal working temperature 40°C
- Internal MOV overvoltage protection



CE UL

Current	Working voltage	Control type	Control	Order code	SAP/METEL code	
15 A	Up to 230 Vac	Logic	3-32 Vdc	GQ-15-24-D-1-1 (230V/15A)	F041186	
15 A	Up to 480 Vac	Logic	3-32 Vdc	GQ-15-48-D-1-1 (480V/15A)	F059630	
25 A	Up to 230 Vac	Logic	3-32 Vdc	GQ-25-24-D-1-1 (230V/25A)	F040879	
25 A	Up to 480 Vac	Logic	3-32 Vdc	GQ-25-48-D-1-1 (480V/25A)	F040880	A
25 A	Up to 600 Vac	Logic	3-32 Vdc	GQ-25-60-D-1-1 (600V/25A)	F046825	
50 A	Up to 230 Vac	Logic	3-32 Vdc	GQ-50-24-D-1-1 (230V/50A)	F040881	
50 A	Up to 480 Vac	Logic	3-32 Vdc	GQ-50-48-D-1-1 (480V/50A)	F040882	A
50 A	Up to 600 Vac	Logic	3-32 Vdc	GQ-50-60-D-1-1 (600V/50A)	F041269	A
90 A	Up to 230 Vac	Logic	3-32 Vdc	GQ-90-24-D-1-1 (230V/90A)	F040883	
90 A	Up to 480 Vac	Logic	3-32 Vdc	GQ-90-48-D-1-1 (480V/90A)	F040884	
90 A	Up to 600 Vac	Logic	3-32 Vdc	GQ-90-60-D-1-1 (600V/90A)	F046826	